

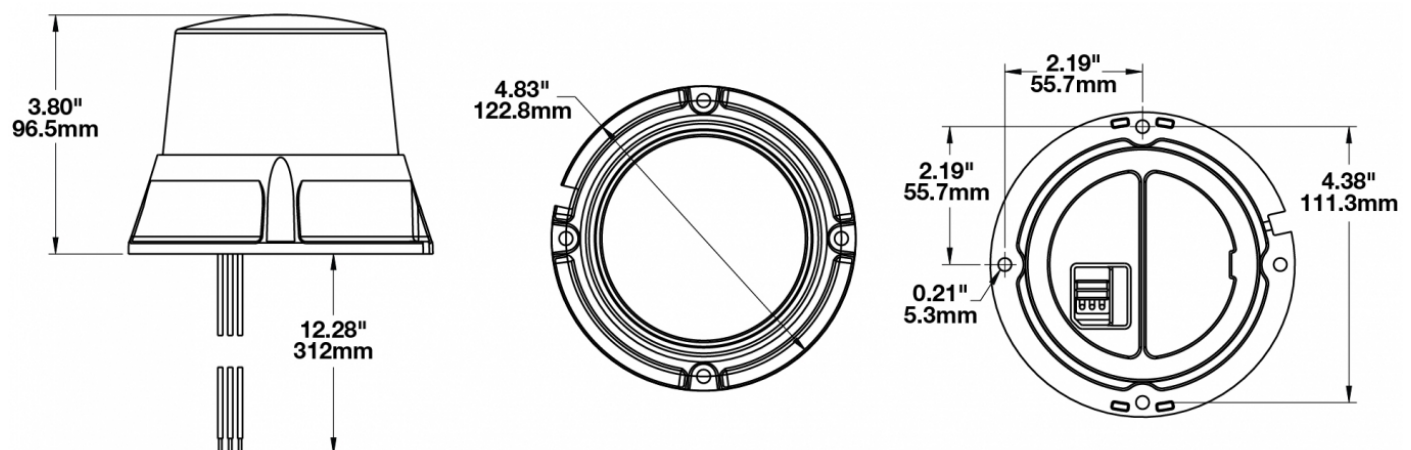
# LED Strobe Lights - Model 406

## PRODUCT INFORMATION

<b>Description</b>	12-80V LED Red Class II Strobe Light
<b>Height</b>	96.52 mm / 3.8 in
<b>Width</b>	121.92 mm / 4.8 in
<b>Depth</b>	121.92 mm / 4.8 in
<b>Shape</b>	Round
<b>Outer Lens Material</b>	Polycarbonate
<b>Outer Lens Color</b>	Red
<b>Housing Material</b>	Polycarbonate
<b>Housing Color</b>	Black
<b>Mounting Hardware Description</b>	(x4) #8-16 x 3/4 Screw
<b>Minimum Operating Temperature</b>	-40 °C / -40 °F
<b>Maximum Operating Temperature</b>	60 °C / 140 °F
<b>Connector or Wiring</b>	12" Leads
<b>Product Weight</b>	0.47 lbs / 0.21 kgs
<b>Shipping Weight</b>	1.00 lbs / 0.45 kgs



## PRODUCT DIMENSIONS



Print date: 2024-08-11

© 2024 J.W. Speaker Corporation • Germantown, WI U.S.A.  
 www.jwspeaker.com • speaker@jwspeaker.com • 262.251.6660

**J.W. SPEAKER**  
 Engineered. Lighting. Solutions.

# LED Strobe Lights - Model 406

## ELECTRICAL SPECIFICATIONS

<b>Input Voltage</b>	12-80V DC
<b>Operating Voltage</b>	9-110V DC
<b>Red Wire</b>	Positive
<b>Black Wire</b>	Negative
<b>Yellow Wire</b>	Mode
<b>Current Draw</b>	0.200A @ 12V DC 0.140A @ 24V DC 0.090A @ 36V DC 0.080A @ 48V DC 0.060A @ 72V DC

## REGULATORY STANDARDS COMPLIANCE



Buy America Standards	ECE Reg 10
Eco Friendly	IEC IP67
IEC IP69K	SAE J845
UL Recognized	

## PHOTOMETRIC SPECIFICATIONS

<b>Candela Output</b>	280
<b>Beam Pattern(s)</b>	Warning - Rotating Warning Warning - Strobe
<b>Flash Rate 1</b>	Beacon
<b>Flash Rate 2</b>	Quadruple 480
<b>Flash Rate 3</b>	Fast 540
<b>Flash Rate 4</b>	Double 240
<b>Flash Rate 5</b>	Burst 300
<b>Flash Rate 6</b>	Steady Flash 60

Print date: 2024-08-11

© 2024 J.W. Speaker Corporation • Germantown, WI U.S.A.  
www.jwspeaker.com • speaker@jwspeaker.com • 262.251.6660

# LED Strobe Lights - Model 406

## APPLICATIONS

---



## PRODUCT WARNINGS

---

For California residents:

⚠ **WARNING:** Cancer and reproductive harm - [www.P65Warnings.ca.gov](http://www.P65Warnings.ca.gov).

⚠ **AVERTISSEMENT:** Cancer et effet nocif sur la reproduction - [www.P65Warnings.ca.gov](http://www.P65Warnings.ca.gov).

# LED Strobe Lights - Model 406

## ACCESSORIES

---



**Part Number**  
**0728301**

Pipe Mount with Fold-Down Bracket for DIN Pole Mount



**Part Number**  
**0728311**

Pipe Mount with L Bracket for DIN Pole Mount



**Part Number**  
**0728321**

Pipe Mount with Straight Bracket for DIN Pole Mount



**Part Number**  
**0728331**

Pipe Mount with Threaded Pipe Mount for DIN Pole Mount



**Part Number**  
**0728341**

Pipe Mount with Weld-on Bracket for DIN Pole Mount



**Part Number**  
**8200213**

DIN Pole Mount for 406 & 407 LED Strobe Lights

## RELATED PRODUCTS

---



**Part Number**  
**0646501**

12-80V LED Amber Class II Strobe Light



**Part Number**  
**0646531**

12-80V LED Blue Class II Strobe Light



**Part Number**  
**0646731**

12-80V LED Amber Class II Strobe Light with DIN Pole Mount



**Part Number**  
**0646881**

12-80V LED Amber Class II Strobe Light with Magnet Mount & Adapter

**Print date: 2024-08-11**

© 2024 J.W. Speaker Corporation • Germantown, WI U.S.A.  
www.jwspeaker.com • speaker@jwspeaker.com • 262.251.6660